

200 Series Air Couplers "Nitto Hi-Cupla"



Introduction

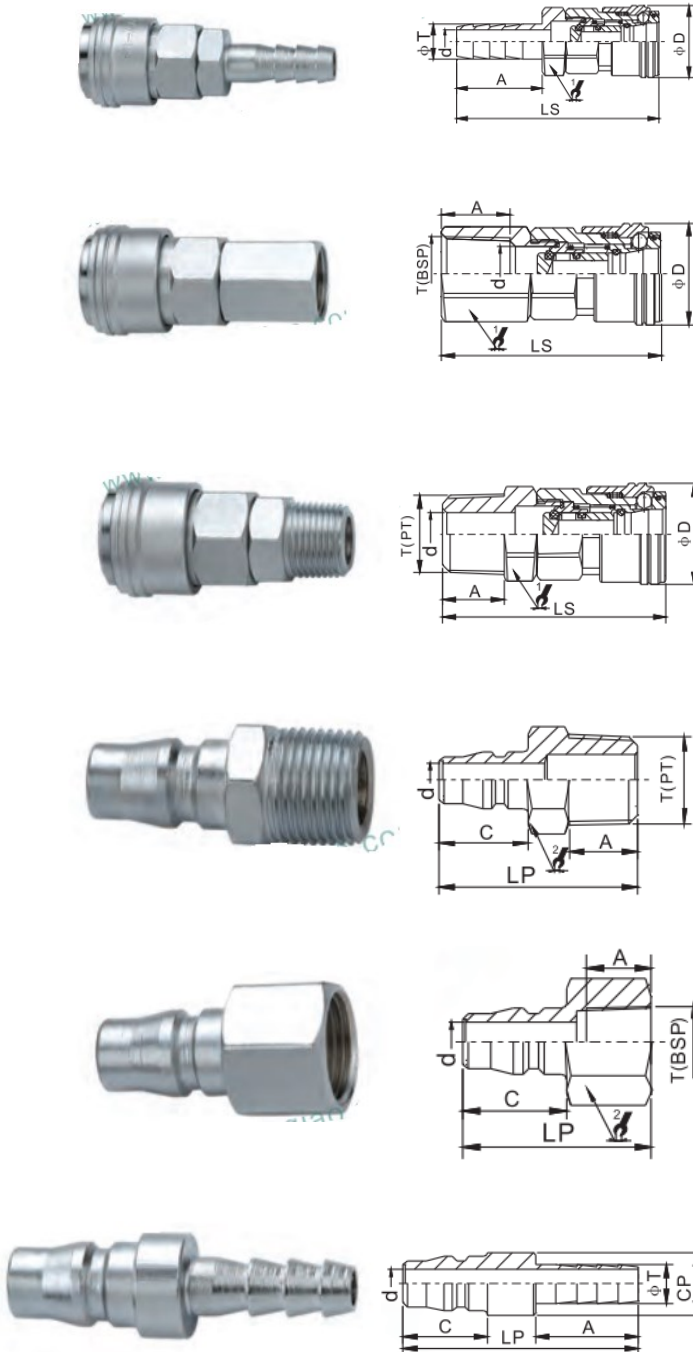
The 200 series is the ideal choice when a tough, durable product of superior quality is required.

Features

- ◆ Single hand operation
- ◆ Light weight
- ◆ High flow
- ◆ Interchange: Nitto Hi-Cupla, Rectus 13KA & CEJN 315

Specification

- ◆ Operating temperature with standard NBR seals -20°C (-20°F) to 120°C (248°F)
- ◆ MWP 145 PSI



Part #	LS	D		A	T	d
200-07SH	64.5	26.5	19	20	7	4
200-09SH	69.5	26.5	19	25	9	5
200-11SH	69.5	26.5	19	25	11	7

Part #	LS	D		A	T BSPT	d
200-04SF	52.5	26.5	19	13	1/4	10
200-06SF	52.5	26.5	19	13	3/8	10
200-08SF	53.5	26.5	24	14	1/2	10

Part #	LS	D		A	T BSPT	d
200-04SM	50	26.5	19	13	1/4	7
200-06SM	50	26.5	19	13	3/8	10
200-08SM	53.5	26.5	22	16	1/2	11.5

Part #	LP	C		A	T BSPT	d
201-07PM	36.5	20.5	14	9.5	1/4	4
201-09PM	39.5	20.5	17	13	3/8	5
201-11PM	42.5	20.5	21	15	1/2	7

Part #	LP	C		A	T BSPT	d
201-04PF	36.5	20.5	17	13	1/4	7.5
201-06PF	36.5	20.5	19	15	3/8	7.5
201-08PF	41.5	20.5	24	16	1/2	7.5

Part #	LS	C	CP	A	T	d
201-07PH	47.5	20.5	16	20	7	7.5
201-09PH	52.5	20.5	16	25	9	7.5
201-11PH	52.5	20.5	16	25	11	7.5