

## S4 Series ISO 5675



### Introduction

The S4 series ISO 5675 couplers are the ideal choice where a tough, durable product of superior quality is required. They are perfectly suited to agricultural and industrial applications.

### Construction

- ◆ Carbon steel with trivalent plating
- ◆ Standard seals are Nitrile

### Features

- ◆ Hard Chrome alloy balls are used for valving
- ◆ Locking ball system allows for quick connect and disconnect
- ◆ Socket and plug machined from solid bar stock

### Specification

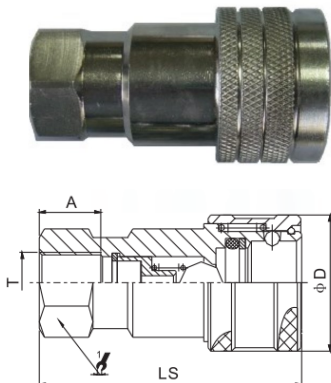
- ◆ Operating temperature with standard NBR seals  $-20^{\circ}\text{C}$  ( $-20^{\circ}\text{F}$ ) to  $120^{\circ}\text{C}$  ( $248^{\circ}\text{F}$ )


### Applications

- ◆ Agriculture
- ◆ Mobile equipment
- ◆ Construction equipment

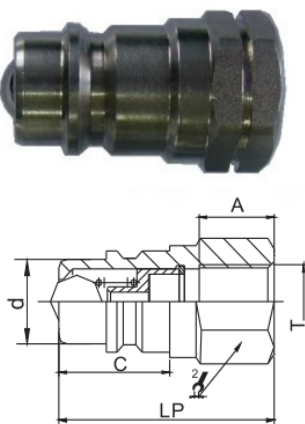
### Accessories

- ◆ Dust caps and plugs in colours black, blue, red, green & yellow



Part #	LS	D		A	T
S4F-04G	53.5	27.6	18	12.5	G1/4
S4F-06G	63	34	24	13	G3/8
S4F-08G	66.3	38.6	27	16	G1/2
S4F-12G	83.5	48.2	35	18	G3/4
S4F-12GF	82.5	47.5	34	19	G3/4
S4F-16G	96.5	56	41	21	G1

- ◆ Note: The S4F-12G is the Parker interchange and the S4F-12GF is the Faster interchange



Part #	LP	d	C		A	T
S4M-04G	36	14.2	18.5	19	12.5	G1/4
S4M-06G	40	19	22	24	13	G3/8
S4M-08G	43.5	20.5	27	27	16	G1/2
S4M-12G	51	26.9	28.5	33.3	18	G3/4
S4M-12GF	53.5	28	32	34	19	G3/4
S4M-16G	63	31.3	38	41	21	G1

- ◆ Note: The S4M-12G is the Parker interchange and the S4M-12GF is the Faster interchange