

S5 Series Push Pull



Introduction

The S5 series ISO 5675 couplers are the ideal choice where a tough, durable product of superior quality is required. They are perfectly suited to agricultural and industrial applications.

Construction

- ◆ Carbon steel with trivalent plating
- ◆ Standard seals are Nitrile

Features

- ◆ Poppet valves prevent leakage when uncoupled
- ◆ Ball valves seal on a coined seat
- ◆ Locking ball system allows for quick connect and disconnect
- ◆ Socket and plug machined from solid bar stock
- ◆ Double acting sleeve for one handed push to connect when coupler is clamped or bulkhead mounted

Specification

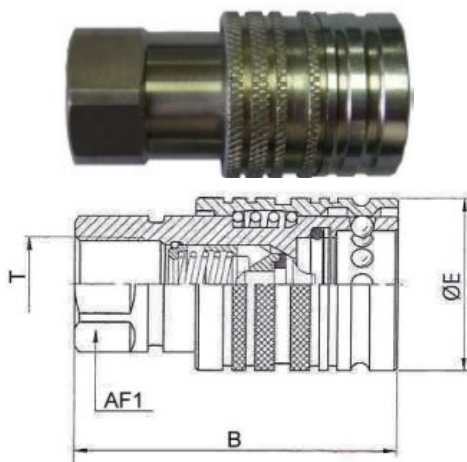
- ◆ Operating temperature with standard NBR seals -20°C (-20°F) to 120°C (248°F)

Applications

- ◆ Agriculture
- ◆ Mobile equipment
- ◆ Construction equipment

Accessories

- ◆ Dust caps and plugs in colours black, blue, red, green & yellow



Poppet Type

Part #	B	E	AF1	T
S5F-08G	66	38	27	G1/2
S5F-08N	66	38	27	N1/2
S5F-12U	66	38	27	UN3/4
S5F-14U	66	38	27	UN7/8
S5F-08FM22	66	38	27	M22*1.5



S5 Series Push Pull Bulkhead

Introduction

The S5 series ISO 5675 couplers are the ideal choice where a tough, durable product of superior quality is required. They are perfectly suited to agricultural and industrial applications.

Construction

- ◆ Carbon steel with trivalent plating
- ◆ Standard seals are Nitrile
- ◆ Bulkhead machined into coupler

Features

- ◆ Poppet valves prevent leakage when uncoupled
- ◆ Locking ball system allows for quick connect and disconnect
- ◆ Socket and plug machined from solid bar stock
- ◆ Double acting sleeve for one handed push to connect when coupler is clamped or bulkhead mounted

Specification

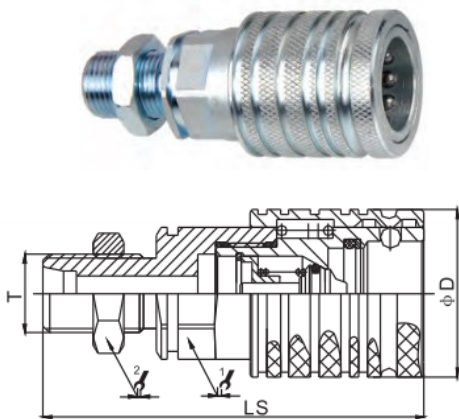
- ◆ Operating temperature with standard NBR seals -20°C (-20°F) to 120°C (248°F)

Applications

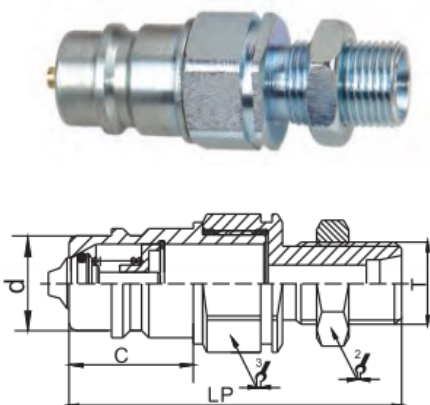
- ◆ Agriculture
- ◆ Mobile equipment
- ◆ Construction equipment

Accessories

- ◆ Dust caps and plugs in colours black, blue, red, green & yellow



Part #	LS	D	1	2	T
S5F-12LBH	87	38	27	24	M18*1.5
S5F-15LBH	89	38	27	27	M22*1.5
S5F-10SBH	87	38	27	24	M18*1.5
S5F-12SBH	87	38	27	27	M20*1.5
S5F-14SBH	89	38	27	27	M22*1.5
S5F-06GBH	89	38	27	27	G3/8
S5F-08GBH	89	38	27	27	G1/2
S5F-0813OBH	89	38	27	27	ORFS 13/16
S5F-0816OBH	89	38	27	27	ORFS 1"



Part #	LP	d	C	2	3	T
S5M-12LBH	72	20.5	27	24	27	M18*1.5
S5M-15LBH	74	20.5	27	27	27	M22*1.5
S5M-10SBH	72	20.5	27	24	27	M18*1.5
S5M-12SBH	72	20.5	27	27	27	M20*1.5
S5M-14SBH	74	20.5	27	27	27	M22*1.5
S5M-06GBH	74	20.5	27	27	27	G3/8
S5M-08GBH	74	20.5	27	27	27	G1/2
S5M-0813OBH	74	20.5	27	27	27	ORFS 13/16
S5M-0816OBH	74	20.5	27	27	27	ORFS 1"