

CVV Series Metric Male



Introduction

The CVV series couplers are high pressure high performance couplers. Used where high pressure couplers are required.

"Faster CVV Interchange See X reference in technical section"

Construction

- ◆ Carbon steel with trivalent plating
- ◆ Standard seals are Nitrile
- ◆ Poppet valves

Features

- ◆ Poppet valves prevent leakage when uncoupled
- ◆ New valve design helps resist damage from high flow and impulse pressures
- ◆ A proven design guarantees reliability
- ◆ Socket and plug machined from solid bar stock
- ◆ Can be connected under residual pressure
- ◆ A threaded valve retainer provides a valve stop that assures positive valve alignment

Specification

- ◆ Operating temperature with standard NBR seals -20°C (-20°F) to 120°C (248°F)

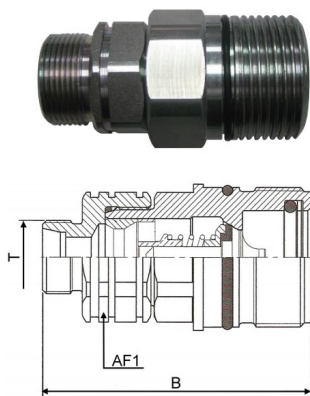
Applications

- ◆ Agriculture
- ◆ Mobile equipment
- ◆ Construction equipment

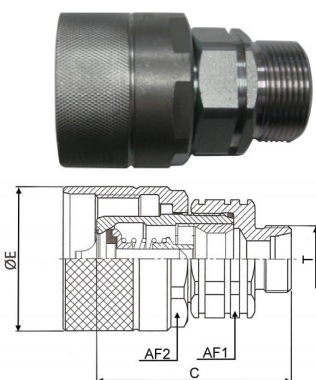
Accessories

- ◆ Dust caps and plugs available in aluminium

| Size | 1/4 | 3/8 | 1/2 | 3/4 | 1" |
|------------|------|------|------|--------|------|
| MWP (PSI) | 5000 | 5000 | 5000 | 4500 | 4500 |
| Flow (LPM) | 11.5 | 22.5 | 45.5 | 105.85 | 189 |



| Part # | B | d | AF1 | T |
|------------|----|-------|-----|---------|
| CVVF-0810S | 66 | M24*2 | 30 | M18*1.5 |
| CVVF-0812S | 69 | M28*2 | 30 | M20*1.5 |
| CVVF-1216S | 83 | M36*2 | 36 | M24*1.5 |
| CVVF-1220S | 85 | M42*2 | 36 | M30*2 |
| CVVF-1625S | 95 | M48*2 | 42 | M36*2 |
| CVVF-1630S | 98 | M52*2 | 46 | M42*2 |



| Part # | C | E | AF1 | AF2 | T |
|------------|----|----|-----|-----|---------|
| CVVM-0810S | 42 | 42 | 30 | 36 | M18*1.5 |
| CVVM-0812S | 42 | 42 | 30 | 36 | M20*1.5 |
| CVVM-1216S | 65 | 48 | 36 | 41 | M24*1.5 |
| CVVM-1220S | 67 | 48 | 36 | 41 | M30*2 |
| CVVM-1625S | 77 | 55 | 42 | 50 | M36*2 |
| CVVM-1630S | 79 | 55 | 46 | 50 | M42*2 |