

CVV Series screw together couplers



Introduction

The CVV series couplers are high pressure high performance couplers. Used where high pressure couplers are required.

"Faster CVV Interchange See X reference in technical section"

Construction

- ◆ Carbon steel with trivalent plating
- ◆ Standard seals are Nitrile
- ◆ Poppet valves

Features

- ◆ Poppet valves prevent leakage when uncoupled
- ◆ New valve design helps resist damage from high flow and impulse pressures
- ◆ A proven design guarantees reliability
- ◆ Socket and plug machined from solid bar stock
- ◆ Can be connected under residual pressure
- ◆ A threaded valve retainer provides a valve stop that assures positive valve alignment

Specification

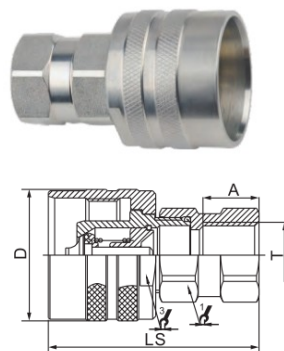
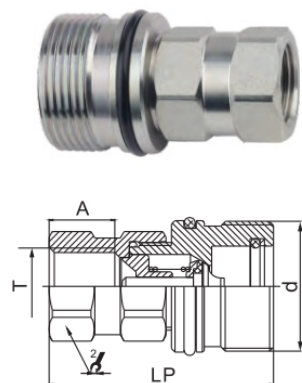
- ◆ Operating temperature with standard NBR seals -20°C (-20°F) to 120°C (248°F)

Applications

- ◆ Agriculture
- ◆ Mobile equipment
- ◆ Construction equipment

Accessories

- ◆ Dust caps and plugs available in aluminium



The Heavy Duty version of the male has a HEX nut.



Size	1/4	3/8	1/2	3/4	1"	1 1/4
MWP (PSI)	5000	5000	5000	4500	4500	3900
Flow (LPM)	12	23	65	100	205	450

Part #	LP	d		A	T
CVVF-04G	60	M24*2	19	13	G1/4
CVVF-06G	55.3	M28*2	22	13	G3/8
CVVF-08G	61.5	M36*2	27	18	G1/2
CVVF-12G	83.5	M42*2	36	18	G3/4
CVVF-1612G	94.5	M48*2	41	24.5	G3/4
CVVF-16G	94.5	M48*2	41	24.5	G1"
CVVF-20G	121	M70*3	65	40	G1 1/4

Part #	LS	D			A	T
CVVM-04G	43	25	19	30	13	G1/4
CVVM-06G	48	32	22	30	16	G3/8
CVVM-08G	53	34	27	36	18	G1/2
CVVM-12G	63	46	36	41	21	G3/4
CVVM-16G	72	50	41	51	23	G1"
CVVM-20G	131	80	55	65	40	G1 1/4

Part #	LS	D			A	T
CVVM-12GH	63	46	36	41	21	G3/4
CVVM-1612GH	72	50	41	51	21	G3/4
CVVM-16GH	72	50	41	51	23	G1"