

## FFY Series Couplers 'MALE'



### Introduction

The FFY series flat face coupler is the ideal choice where spillage constitutes a safety and environmental hazard. A tough, durable product of superior quality with a flat face that can be wiped clean to reduce the ingress of dirt and contaminants. Can be connected under residual pressure.

**'See technical section for safe use of the Connect Under Pressure male coupler'**

### Construction

- ◆ Carbon steel with trivalent plating
- ◆ Standard seals are Nitrile

### Features

- ◆ New valve design resist damage from high flow and pressure impulses,
- ◆ Special three valve design system to allow connect under pressure
- ◆ Socket and plug machined from solid bar stock
- ◆ Critical parts hardened for durability
- ◆ New plating treatment provides advanced anti-rust performance
- ◆ Conforms to ISO 16028 standard

### Specification

- ◆ Operating temperature with standard NBR seals -20°C (-20°F) to 120°C (248°F)

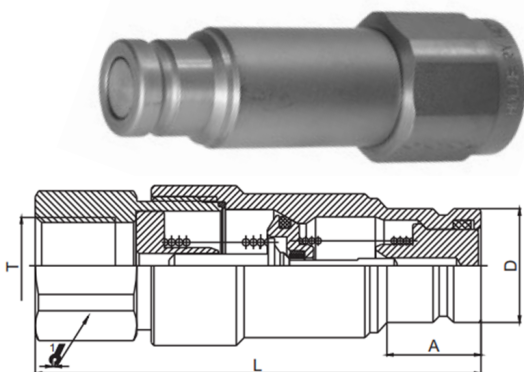
### Applications


- ◆ Agriculture
- ◆ Mobile equipment
- ◆ Construction equipment
- ◆ Drilling machines

### Accessories

- ◆ Dust caps are available

Size	1/4	3/8	1/2	3/4	1"
<b>MWP PSI</b>	6000	5000	5000	5000	5000
<b>Flow LPM</b>	11.5	22.7	45.4	189	302



Part #	D	A	L		T
FFYM-04G	16.1	11.8	76.7	20	G1/4
FFYM-06G	19.7	16.5	78.1	24	G3/8
FFYM-08G	24.5	17.8	95.8	32	G1/2
FFYM-12G	30.0	23.5	113.9	46	G3/4
FFYM-16G	36.0	23.4	123.7	55	G1"