

HDB Modular Valve

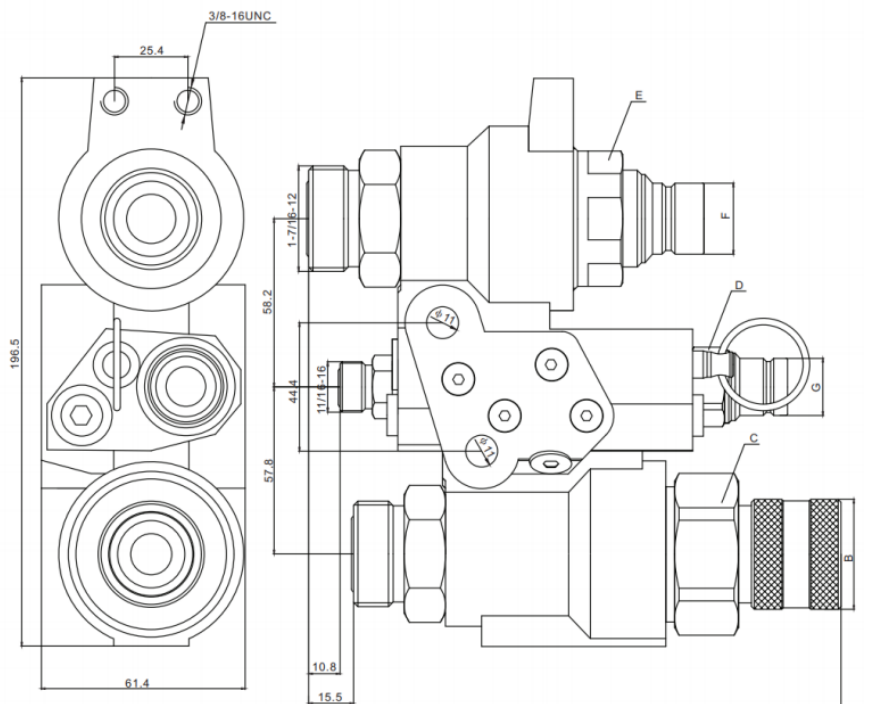


The HDB is a modular valve system for skid steer machines and other construction machines. A cast iron block designed to allow a quick and safe connection and disconnection of attachments.

The cartridges are fully compatible with ISO 16028 Flat Face couplers.

There is a lever for the safe release of residual pressure when connecting or disconnecting.

The block will accept 1/2 cartridges and 3/4 cartridges for higher flow.



ISO	Part #	A	B	C	D	E	F	G
12.5	HDB-08	184	S44.45	S50.8	S25.4	38	24.54	19.75
19	HDB-12	188	S44.45	S50.8	S25.4	48	29.95	19.75

Body Size			Coupler	
Inch	Din	Dash	Type	Size
1/2	12	-8	Flat Face	1/2
3/4	19	-12	Flat Face	3/4