

PBR Interchange



Introduction

The PBR couplers are essentially a high flow coupler for the transport industry, connection between truck and trailer.

Construction

- ◆ Carbon steel with trivalent plating
- ◆ Standard seals are Nitrile

Features

- ◆ Poppet valves prevent leakage when uncoupled
- ◆ Locking ball system allows for quick connect and disconnect
- ◆ Critical parts hardened for durability
- ◆ Socket and plug machined from solid bar stock
- ◆ Push Pull sleeve

Specifications

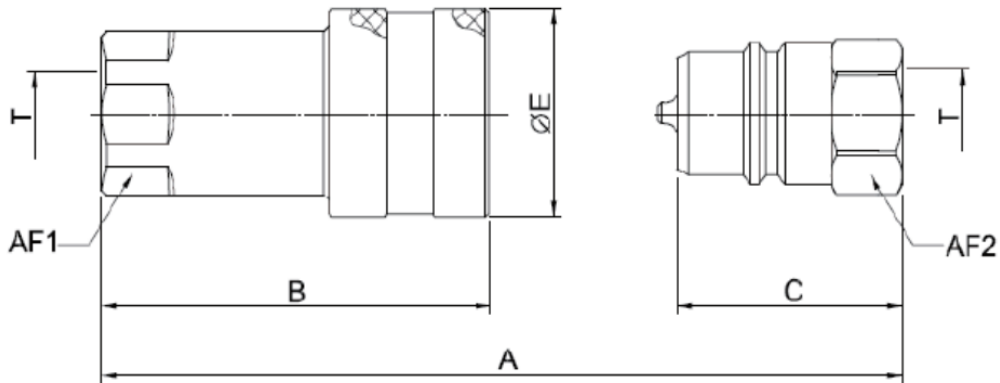
- ◆ Operating temperature with standard NBR seals -20°C (-20°F) to 120°C (248°F)
- ◆ High flow 75 GPM-284 LPM

Applications

- ◆ Trucking
- ◆ Mobile Equipment
- ◆ Construction Equipment

Accessories

- ◆ Dust caps and plugs available



Size	Coupler	Nipple	A mm	B mm	C mm	E mm	T	AF1 mm	AF2 mm	MWP
-16 (1")	PBRF-16G	PBRM-16G	136.4	108.0	69.0	65.0	1" BSP	46.0	44.0	4300 psi

