

## S1 Series ISO A 7241



### Introduction

The S1 series ISO A couplers are the ideal choice where a tough, durable product of superior quality is required. They are perfectly suited to agricultural and industrial applications.

### Construction

- ◆ Carbon steel with trivalent plating
- ◆ Standard seals are Nitrile
- ◆ Available in stainless steel ( S1-SS)

### Features

- ◆ Poppet valves prevent leakage when uncoupled
- ◆ Locking ball system allows for quick connect and disconnect
- ◆ Socket and plug machined from solid bar stock

### Specification

- ◆ Operating temperature with standard NBR seals  $-20^{\circ}\text{C}$  ( $-20^{\circ}\text{F}$ ) to  $120^{\circ}\text{C}$  ( $248^{\circ}\text{F}$ )

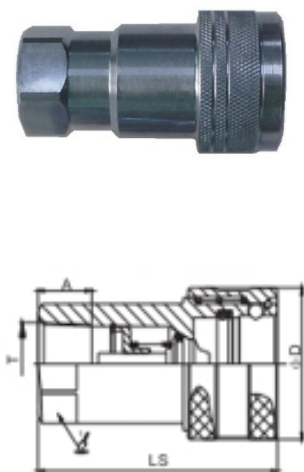
### Applications

- ◆ Agriculture
- ◆ Mobile equipment
- ◆ Construction equipment

### Accessories

- ◆ Dust caps and plugs in colours black, blue, red, green & yellow

Size	1/4	3/8	1/2	3/4	1"	1 1/4	1 1/2	2"
MWP (PSI)	5000	5000	4000	4000	3000	3000	2500	2000
Flow (LPM)	11.5	22.7	45.4	105.8	189	332	831	907



Part #	LS	D		A	T
S1F-04G	53	26	19	13	G1/4
S1F-06G	56	31.5	22	14	G3/8
S1F-08G	66	38.5	27	16	G1/2
S1F-08N	66	38.5	27	16	N1/2
S1F-0806G	66	38.5	27	16	G3/8
S1F-08FM18	66	38.5	27	16	M18*1.5
S1F-12G	80	48	34	18	G3/4
S1F-16G	94	56	41	21	G1
S1F-20G	117	69.5	50	25	G1 1/4
S1F-24G	133	84	60	27	G1 1/2
S1F-32G	165	99	75	27	G2

## S1 Series ISO A 7241



### Introduction

The S1 series ISO A couplers are the ideal choice where a tough, durable product of superior quality is required. They are perfectly suited to agricultural and industrial applications.

### Construction

- ◆ Carbon steel with trivalent plating
- ◆ Standard seals are Nitrile
- ◆ Available in stainless steel ( S1-SS)

### Features

- ◆ Poppet valves prevent leakage when uncoupled
- ◆ Locking ball system allows for quick connect and disconnect
- ◆ Socket and plug machined from solid bar stock

### Specification

- ◆ Operating temperature with standard NBR seals  $-20^{\circ}\text{C}$  ( $-20^{\circ}\text{F}$ ) to  $120^{\circ}\text{C}$  ( $248^{\circ}\text{F}$ )

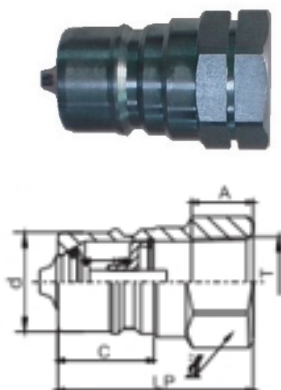
### Applications


- ◆ Agriculture
- ◆ Mobile equipment
- ◆ Construction equipment

### Accessories

- ◆ Dust caps and plugs in colours black, blue, red, green & yellow

Size	1/4	3/8	1/2	3/4	1"	1 1/4	1 1/2	2"
MWP (PSI)	5000	5000	4000	4000	3000	3000	2500	2000
Flow (LPM)	11.5	22.7	45.4	105.8	189	332	831	907



Part #	LP	d	C		A	T
S1M-04G	35.5	11.8	15	19	13	G1/4
S1M-06G	36.5	17.3	21.4	22	14	G3/8
S1M-08G	43.5	20.5	27	27	16	G1/2
S1M-08N	43.5	20.5	27	27	16	N1/2
S1M-0806G	43.5	20.5	27	27	16	G3/8
S1M-08FM18	43.5	20.5	27	27	16	M18*1.5
S1M-12G	57	29	28	35	18	G3/4
S1M-16G	59.5	34.3	36	41	21	G1
S1M-20G	75	45	46	50	25	G1 1/4
S1M24G	83.5	55	52	60	27	1 1/2
S1M-32G	105	65	64	75	27	G2