

S2 Series Industrial Couplers "Brass"



Introduction

The S2 Brass series ISO 7241-B couplers are the ideal choice where a tough, durable product of superior quality is required. They are perfectly suited to all types of industrial applications.

Construction

- ◆ Brass
- ◆ Standard seals are Nitrile
- ◆ Available in steel, stainless steel, 304 & 316

Features

- ◆ Poppet valves prevent leakage when uncoupled
- ◆ Locking ball system allows for quick connect and disconnect
- ◆ Socket and plug machined from solid bar stock

Specification

- ◆ Operating temperature with standard NBR seals -20°C (-20°F) to 120°C (248°F)

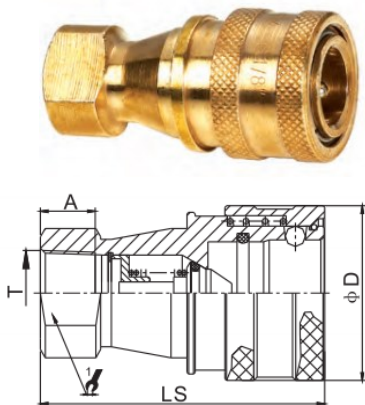
Applications

- ◆ Agriculture
- ◆ Mobile equipment
- ◆ Construction equipment
- ◆ Used with chemicals, water, steam & some gases
- ◆ Carpet cleaning machines

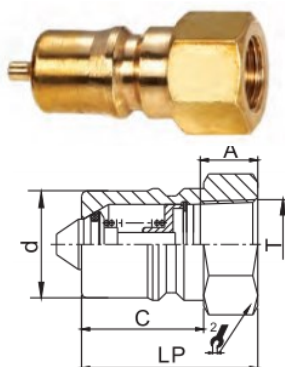
Accessories

- ◆ Dust caps and plugs are available in red

Size	1/8	1/4	3/8	1/2	3/4	1"
MWP PSI	1000	1000	1000	1000	1000	1000
Flow LPM	3.8	11.5	22.7	45.5	105.8	189



Part #	LS	D		A	T
S2F-02GB	48	24	14	8	G1/8
S2F-04GB	58	27	19	12.5	G1/4
S2F-06GB	65	35	22	13	G3/8
S2F-08GB	72.5	45	29	14	G1/2
S2F-12GB	88	54	36	17	G3/4
S2F-16GB	102	64.5	41	23	G1



Part #	LP	d	C		A	T
S2M-02GB	29	10.8	19	14	8	G1/8
S2M-04GB	36	14.2	22.5	17	12.5	G1/4
S2M-06GB	40	19	25	22	13	G3/8
S2M-08GB	44	23.5	28	27	14	G1/2
S2M-12GB	52	31.4	36	36	17	G3/4
S2M-16GB	62	37.8	40	41	23	G1