

S2 Series Industrial Couplers "Steel"



Introduction

The S2 series ISO 7241-B couplers are the ideal choice where a tough, durable product of superior quality is required. They are perfectly suited to all types of industrial applications.

Construction

- ◆ Carbon steel with trivalent plating
- ◆ Standard seals are Nitrile
- ◆ Available in stainless steel, 304, 316 & Brass

Features

- ◆ Poppet valves prevent leakage when uncoupled
- ◆ Locking ball system allows for quick connect and disconnect
- ◆ Socket and plug machined from solid bar stock
- ◆ Critical parts hardened for durability

Specification

- ◆ Operating temperature with standard NBR seals -20°C (-20°F) to 120°C (248°F)

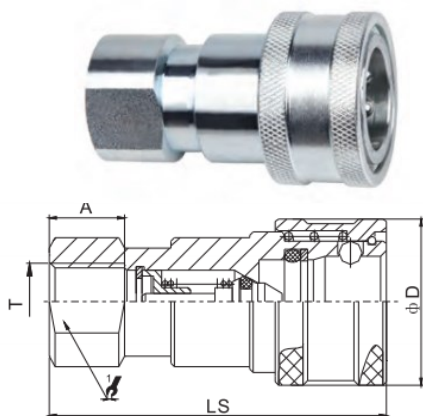
Applications

- ◆ Agriculture
- ◆ Mobile equipment
- ◆ Construction equipment

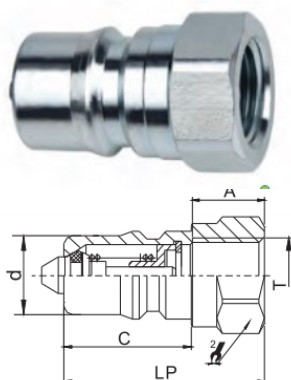
Accessories

- ◆ Dust caps and plugs are available in red

Size	1/8	1/4	3/8	1/2	3/4	1"
MWP PSI	5000	5000	4000	4000	3000	3000
Flow LPM	3.8	11.5	22.7	45.5	105.8	189



Part #	LS	D		A	T
S2F-02G	48	24	17	9.5	G1/8
S2F-04G	58	28.5	19	13	G1/4
S2F-06G	65	35	24	13	G3/8
S2F-08G	74	44.5	28.5	20.5	G1/2
S2F-12G	92	54	36	22	G3/4
S2F-16G	103	63.5	41	23	G1



Part #	LP	d	C		A	T
S2M-02G	29	10.8	19	14	9.5	G1/8
S2M-04G	36	14.2	22.8	19	13	G1/4
S2M-06G	40	19	25	24	13	G3/8
S2M-08G	46.5	23.5	28	28.5	20.5	G1/2
S2M-12G	56	31.5	36	36	22	G3/4
S2M-16G	63	37.8	45	41	23	G1