

S300 Screw Coupler (700 Bar)



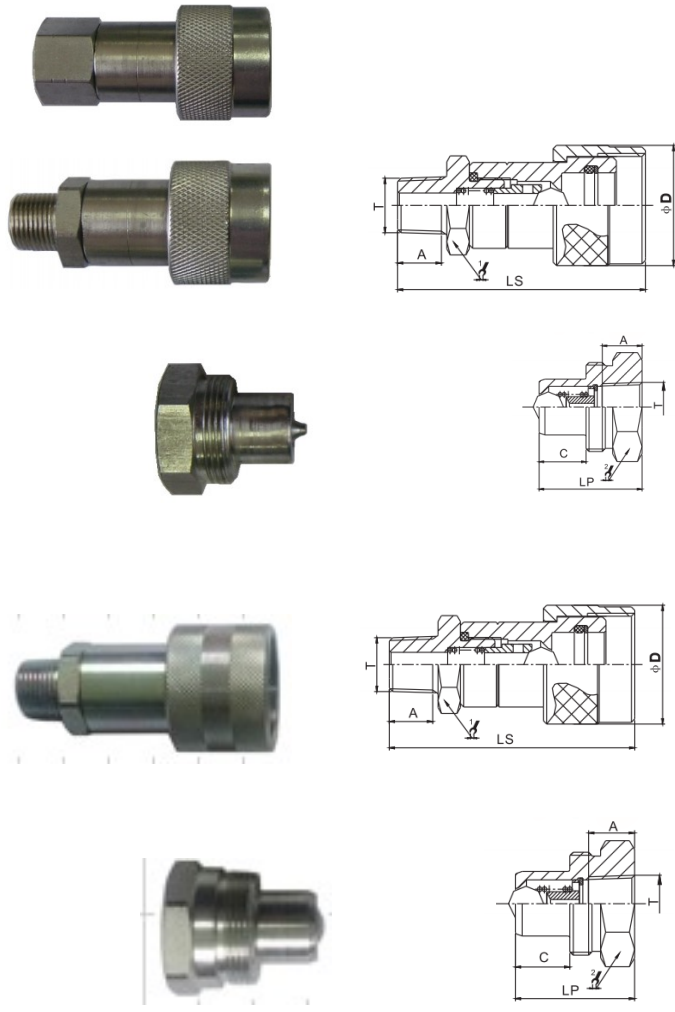
Introduction

The S300 series couplers are high pressure (700 bar) screw couplers used mainly on hydraulic jacking systems. They come with poppet valves and ball valves

Construction

- ◆ Carbon steel with trivalent plating
- ◆ Standard seals are Nitrile
- ◆ Poppet or Ball valve
- ◆ Screw to connect

Size	1/4	3/8
MWP (PSI)	10,000 (700 Bar)	
Flow LPM	11.4	22.7



Specification

- ◆ Operating temperature with standard NBR seals -20°C (-20°F) to 120°C (248°F)

Accessories

- ◆ Dust caps and plugs available in aluminium or polyurethane

Features

- ◆ Poppet or ball valves prevent leakage when uncoupled
- ◆ Screw to connect allows for secure connection
- ◆ Socket and plug machined from solid bar stock
- ◆ Hard chrome balls are used in the ball coupler on to a coined seat

Part #	LS	D		A	T
S300F-06N	73.5	35	25	14.4	3/8 NPT
S300F-06NF	67	35	25	0	3/8 NPT

Part #	LP	C		A	T
S300M-06N	35	16	32	13.5	3/8 NPT

Part #	LS	D		A	T
S300F-04NB	73.5	35	25	14.4	1/4 NPT
S300F-06NB	67	35	25	14.4	3/8 NPT

Part #	LP	C		A	T
S300M-04NB	32.5	11.2	19	13	1/4 NPT
S300M-06NB	35	16	32	13.5	3/8 NPT