

ST Series Straight Through Brass



Introduction

The ST series non-valved couplings provide maximum flow and low pressure drop. The smooth open bore allows for easy cleaning in applications where the same line is used for more than one media.

Features

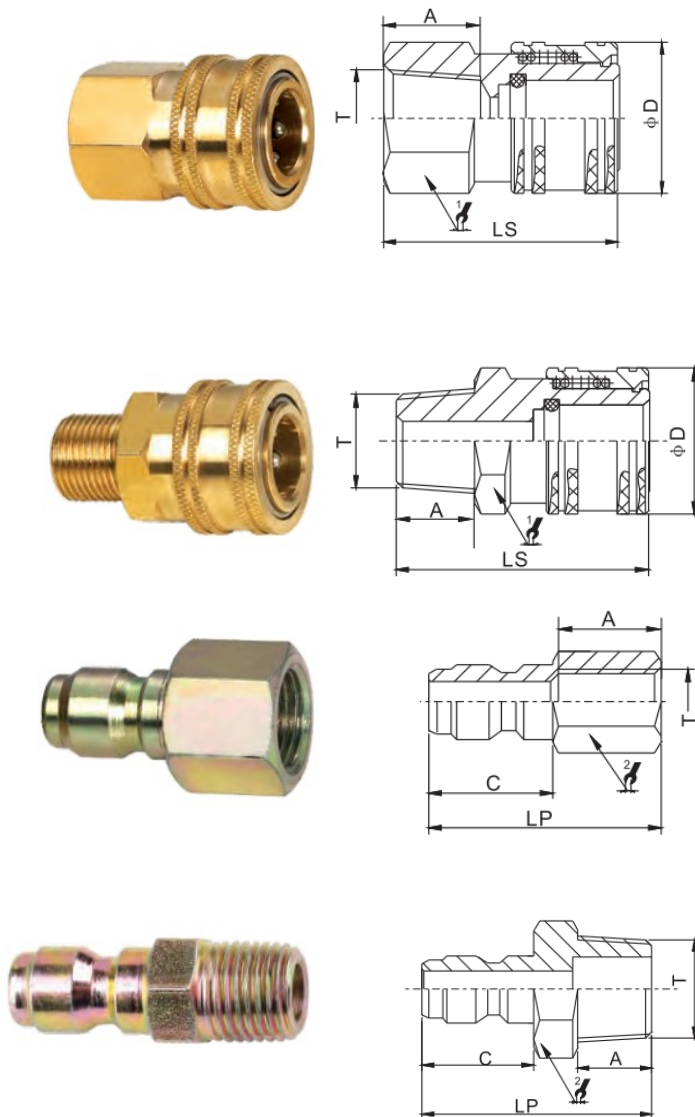
- ◆ Machined from solid bar stock providing a quality durable coupling
- ◆ Plated steel nipples are available. The ball locking grooves are case hardened for resistance to brinelling
- ◆ The ST is an “Interchange” coupling because the dimensions and functionality can interchange with other manufacturers.

Specification

- ◆ Operating temperature with standard NBR seals -20°C (-20°F) to 120°C (248°F)

Applications

- ◆ Water
- ◆ Pressure Washers
- ◆ Carpet cleaners
- ◆ Mold coolant lines



Size	1/8	1/4	3/8	1/2
MWP (PSI)	2500	5200	2700	2200
Steel Nipple	2600	5500	3500	2700
Flow (LPM)	11.4	23	46	46

Part #	LS	D		A	T
STFF-02N	27	18	14	10	1/8 NPT
STFF-04N	37	24	19	12	1/4 NPT
STFF-06N	41.5	29	24	13	3/8 NPT
STFF-08N	51	33	29	15	1/2 NPT

Part #	LS	D		A	T
STFM-02N	29	18	14	10	1/8 NPT
STFM-04N	39.5	24	19	12	1/4 NPT
STFM-06N	43	29	24	13	3/8 NPT
STFM-08N	53	33	29	15	1/2 NPT

Part #	LP	C		A	T
STMF-02N	27	17	14	10	1/8 NPT
STMF-04N	37	19.5	17	12	1/4 NPT
STMF-06N	41.5	22.5	22	13	3/8 NPT
STMF-08N	51	26	27	15	1/2 NPT

Part #	LP	C		A	T
STMM-02N	29	17	11	10	1/8 NPT
STMM-04N	39.5	19.5	14	12	1/4 NPT
STMM-06N	43	22.5	17	13	3/8 NPT
STMM-08N	53	26	22	15	1/2 NPT