

VV Series Screw Coupler



Introduction

The VV series is a screw together coupler that can also take the agricultural standard nipples. This make the VV series a very versatile coupler.

Construction

- ◆ Carbon steel with trivalent plating
- ◆ Standard seals are Nitrile
- ◆ Poppet valves and a locking ball system

Features

- ◆ Poppet valves prevent leakage when uncoupled
- ◆ Locking ball system allows for quick connect and disconnect when used with agricultural nipples
- ◆ Socket and plug machined from solid bar stock
- ◆ Can be screwed together under residual pressure
- ◆ Accepts the PK Series agricultural nipples

Specification

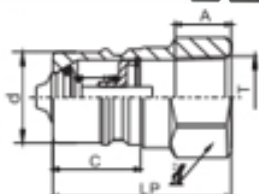
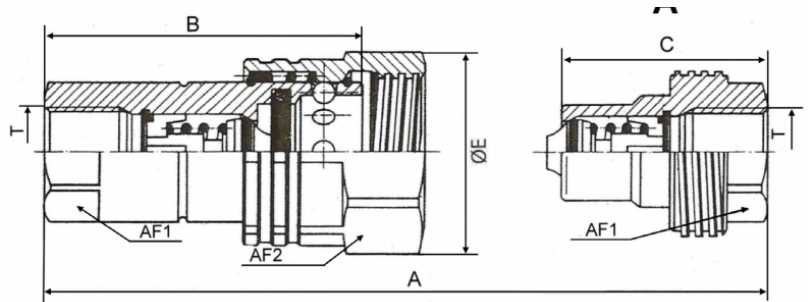
- ◆ Operating temperature with standard NBR seals -20°C (-20°F) to 120°C (248°F)

Applications

- ◆ Agriculture
- ◆ Mobile equipment
- ◆ Construction equipment


Accessories

- ◆ Dust caps and plugs available in aluminium



Part #	A	B	E	AF1	AF2	T	MWP
VVF-04G	66	50	30	19	27	G1/4	350
VVF-06G	78	59.5	38	24	34	G3/8	300
VVF-08G	94.5	68	42	27	38	G1/2	280
VVF-12G	123.5	84	55	34	50	G3/4	250
VVF-16G	139.5	99.5	60	41	55	G1	210

Part #	A	C	AF1	T	MWP (Bar)
VVM-04G	66	33	19	G1/4	350
VVM-06G	78	39	24	G3/8	300
VVM-08G	94.5	49	27	G1/2	280
VVM-12G	123.5	61.5	34	G3/4	250
VVM-16G	139.5	73	41	G1	210

Part #	LP	d	C		A	T
PKM-04G	36	11.8	15	19	13	G1/4
PKM-06G	40	17.3	21.4	22	14	G3/8
PKM-08G	46	20.5	27	27	16	G1/2
PKM-12G	51	29	28	35	18	G3/4
PKM-16G	59.5	34.3	41	41	21	G1