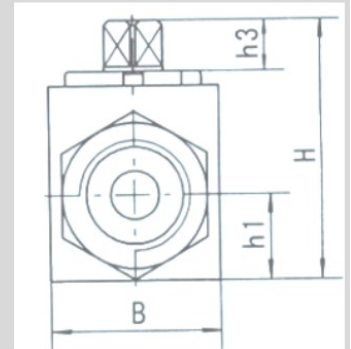
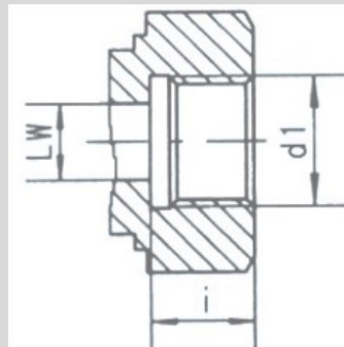
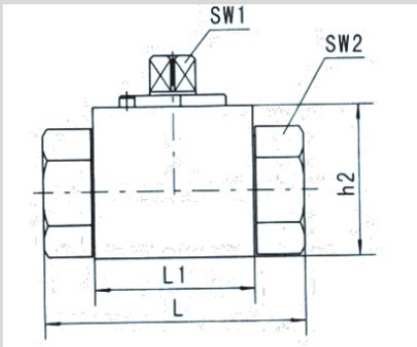
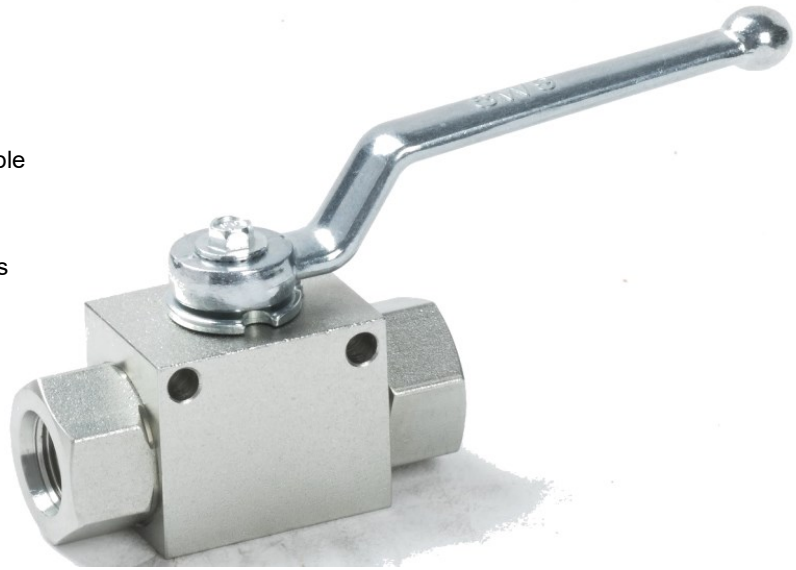


## 2 Way ball valves BSP



- ◆ Material: Carbon Steel
- ◆ Seals: Nitrile (Buna-N)
- ◆ Handle: Standard Zinc Alloy, Options available
- ◆ Body: Square up to 1 1/2
- ◆ Mounting: All sizes come with mounting holes



Model	DN	PN	LW	D1	I	L	L1	B	H	H1	H2	H3	SW1	SW2
KHB-G1/4	6	500	6	G1/4	14	69	37	28	44.5	13	32	8	9	22
KHB-G3/8	10	500	10	G3/8	14	72	42	32	52.5	17	40	8	9	27
KHB-G1/2	13	500	13	G1/2	16	83	48	35	52.5	17	40	8	9	30
KHB-G3/4	20	315	20	G3/4	18	95	60	48	75	24	57	12	14	41
KHB-G1	25	315	25	G1	20.5	113	65	57	82	25.8	64	12	14	50
KHB-G11/4	32	315	25	G11/4	22	120	65	60	82	28.5	64	12	14	55
KHB-G11/2	40	315	25	G11/2	24	130	65	60	82	28.5	64	12	14	60
KHM-G2	50	315	48	G2	26	140	100	110	135.5	55	115	14	17	80

### Options:

Steel Crank Handle, Straight Steel Handle, Handle Locking Device, Other Threads, Seal Materials