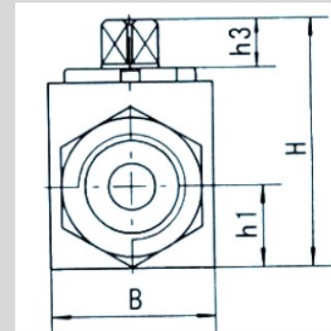
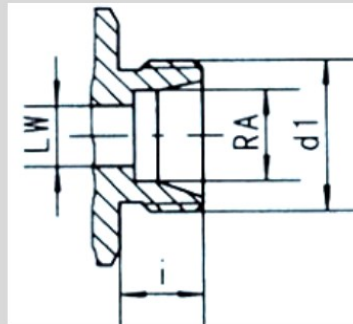
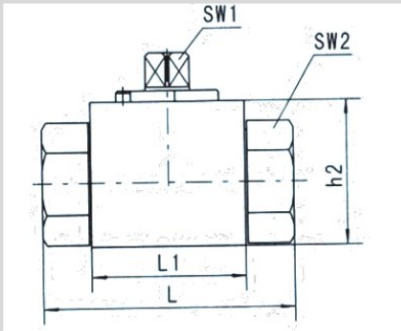


## 2 Way Ball Valves metric male heavy threads



- ◆ Material: Carbon Steel
- ◆ Seals: Nitrile (Buna-N)
- ◆ Handle: Standard Zinc Alloy, Options Available
- ◆ Body: Square
- ◆ Mounting: All sizes come with drilled mounting holes



Model	DN	PN	LW	RA	D1	I	L	L1	B	H	H1	H2	H3	SW1	SW2
KHB-08SR	4	500	5	8	M16*1.5	12	73	37	28	44.5	13	32	8	9	22
KHB-10SR	6	500	6	10	M18*1.5	12	73	37	28	44.5	13	32	8	9	22
KHB-12SR	8	500	8	12	M20*1.5	12	76	42	32	52.5	17	40	8	9	27
KHB-14SR	10	500	10	14	M22*1.5	14	80	42	32	52.5	17	40	8	9	27
KHB-16SR	13	500	13	16	M24*1.5	14	86	48	35	52.5	17	40	8	9	30
KHB-20SR	13	500	13	20	M30*2	16	90	48	35	52.5	17	40	8	9	32
KHB-25SR	20	315	20	25	M36*2	18	109	60	48	75	24	57	12	14	41

### Options:

Steel Crank Handle, Straight Steel Handle, Handle Locking Device, Other Threads, Seal Materials