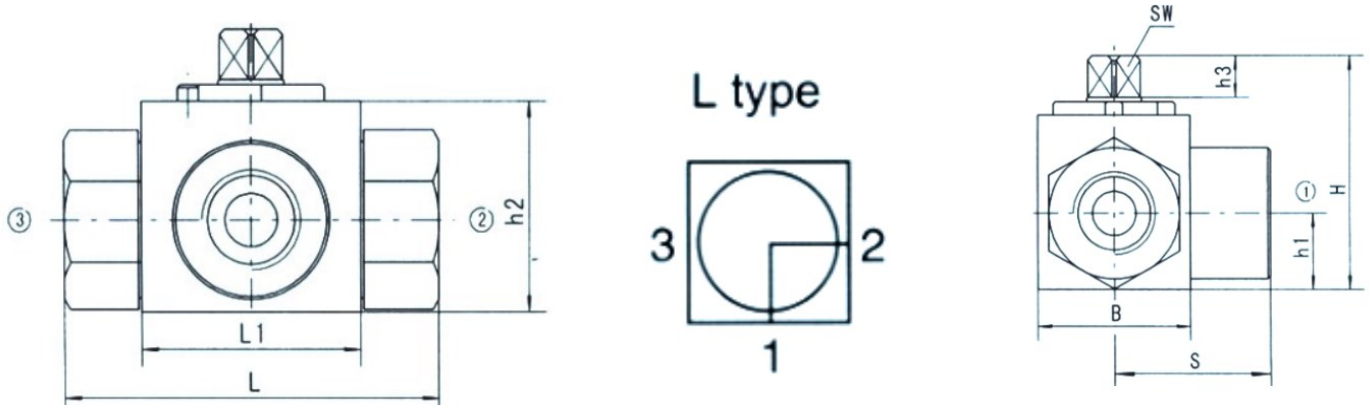
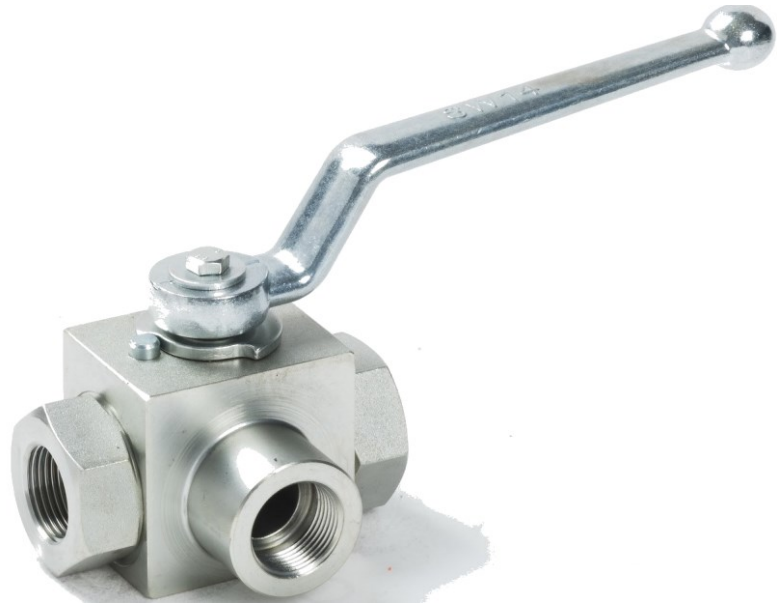


## 3 Way Ball Valves "L" Configuration



- ◆ Material: Carbon Steel
- ◆ Seals: Nitrile (Buna-N)
- ◆ Handle: Standard Zinc Alloy
- ◆ Body: Square
- ◆ Configuration: "L"



Model	DN	PN	LW	D1	I	L	L1	B	H	H1	H2	H3	SW	S
KHB3K-G1/4	6	315	6	G1/4	14	69	37	28	44.5	13	32	8	9	35
KHB3K-G3/8	10	315	10	G3/8	14	72	42	32	52.5	17	40	8	9	36
KHB3K-G1/2	13	315	13	G1/2	16	83	48	35	52.5	17	40	8	9	40
KHB3K-G3/4	20	315	20	G3/4	18	95	60	48	75	24	57	12	14	49
KHB3K-G1	25	315	25	G1	20.5	113	65	57	82	28.5	64	12	14	56.5

### Options:

Steel Crank Handle, Straight Steel Handle, Handle Locking Device, Other Threads, Seal Materials