

# CVV Series Metric Male



## Introduction

The CVV series couplers are high pressure high performance couplers. Used where high pressure couplers are required.

"Faster CVV Interchange See X reference in technical section"

## Construction

- ◆ Carbon steel with trivalent plating
- ◆ Standard seals are Nitrile
- ◆ Poppet valves

## Features

- ◆ Poppet valves prevent leakage when uncoupled
- ◆ New valve design helps resist damage from high flow and impulse pressures
- ◆ A proven design guarantees reliability
- ◆ Socket and plug machined from solid bar stock
- ◆ Can be connected under residual pressure
- ◆ A threaded valve retainer provides a valve stop that assures positive valve alignment

## Specification

- ◆ Operating temperature with standard NBR seals -20°C (-20°F) to 120°C (248°F)

## Applications

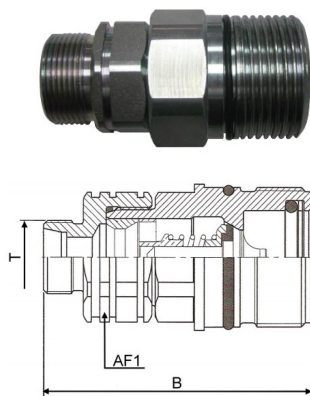
- ◆ Agriculture
- ◆ Mobile equipment
- ◆ Construction equipment

## Accessories

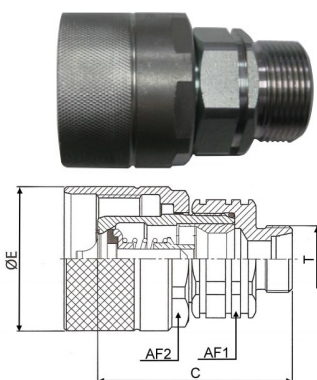
- ◆ Dust caps and plugs available in aluminium

Note: Only sizes up to 3/4 are manufactured to the ISO 14541 standard.

Size	1/4	3/8	1/2	3/4	1"
MWP (PSI)	5000	5000	5000	4500	4500
Flow (LPM)	11.5	22.5	45.5	105.85	189



Part #	B	d	AF1	T
CVVF-0810S	66	M24*2	30	M18*1.5
CVVF-0812S	69	M28*2	30	M20*1.5
CVVF-1216S	83	M36*2	36	M24*1.5
CVVF-1220S	85	M42*2	36	M30*2
CVVF-1625S	95	M48*2	42	M36*2
CVVF-1630S	98	M52*2	46	M42*2



Part #	C	E	AF1	AF2	T
CVVM-0810S	42	42	30	36	M18*1.5
CVVM-0812S	42	42	30	36	M20*1.5
CVVM-1216S	65	48	36	41	M24*1.5
CVVM-1220S	67	48	36	41	M30*2
CVVM-1625S	77	55	42	50	M36*2
CVVM-1630S	79	55	46	50	M42*2