

## FF Series Couplers 316 Stainless Steel



### Introduction

The FF series flat face couplers are the ideal choice where spillage constitutes a safety and environmental hazard. A tough, durable product of superior quality with a flat face on both halves that can be wiped clean to reduce the ingress of dirt and contaminants

### Construction

- ◆ 316 Stainless Steel
- ◆ Standard seals are Viton

### Features

- ◆ New valve design resist damage from high flow and pressure impulses,
- ◆ Sleeve locking mechanism is standard
- ◆ Socket and plug machined from solid bar stock

### Specification

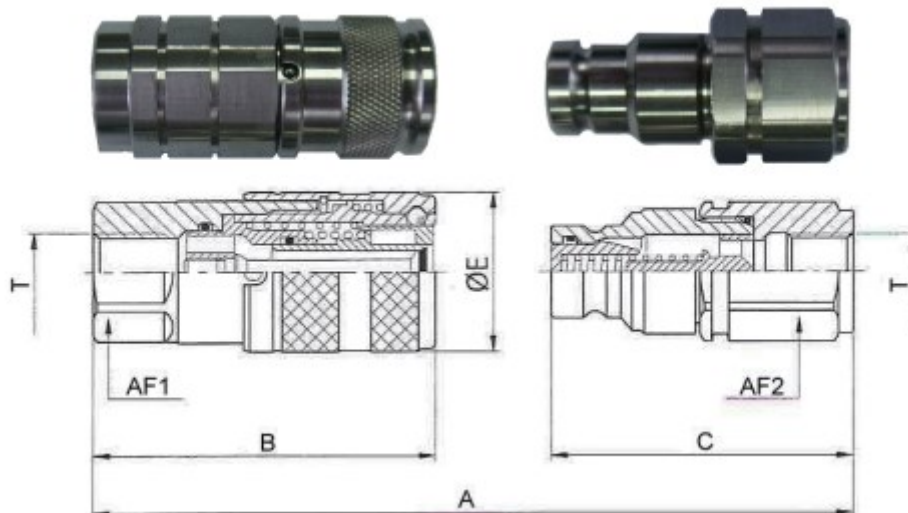
- ◆ Operating temperature with standard Viton seals  $-20^{\circ}\text{C}$  ( $-20^{\circ}\text{F}$ ) to  $175^{\circ}\text{C}$  ( $347^{\circ}\text{F}$ )

### Applications

- ◆ Agriculture
- ◆ Mobile equipment
- ◆ Construction equipment
- ◆ Hydraulic Tools

### Accessories

- ◆ Dust caps male & female are available



Size	Female	Male	A mm	B mm	C mm	E mm	T BSP	AF1 mm	AF2 mm
1/4	FFF-04GSS	FFM-04GSS	100	58.5	53.3	28	1/4	22	22
3/8	FFF-06GSS	FFM-06GSS	121	73.5	61.2	32	3/8	30	30
1/2	FFF-08GSS	FFM-08GSS	143.5	73.4	74	38	1/2	36	36
5/8	FFF-1012GSS	FFM-1012GSS	148	87	80	42	3/4	36	36
3/4	FFF-12GSS	FFM-12GSS	154	95	87	48	3/4	41	41