

FFY Series Couplers 'MALE'



Introduction

The FFY series flat face coupler is the ideal choice where spillage constitutes a safety and environmental hazard. A tough, durable product of superior quality with a flat face that can be wiped clean to reduce the ingress of dirt and contaminants. Can be connected under residual pressure.

'See technical section for safe use of the Connect Under Pressure male coupler'

Construction

- ◆ Carbon steel with trivalent plating
- ◆ Standard seals are Nitrile

Features

- ◆ New valve design resist damage from high flow and pressure impulses,
- ◆ Special three valve design system to allow connect under pressure
- ◆ Socket and plug machined from solid bar stock
- ◆ Critical parts hardened for durability
- ◆ New plating treatment provides advanced anti-rust performance
- ◆ Conforms to ISO 16028 standard

Specification

- ◆ Operating temperature with standard NBR seals -20°C (-20°F) to 120°C (248°F)

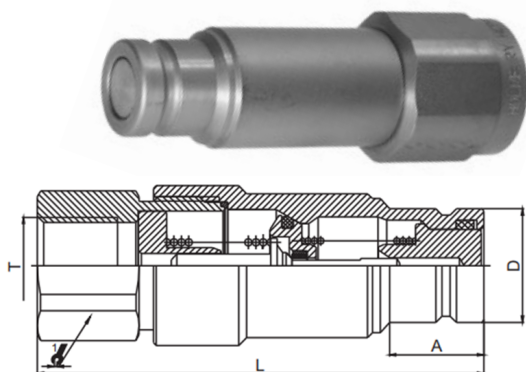
Applications

- ◆ Agriculture
- ◆ Mobile equipment
- ◆ Construction equipment
- ◆ Drilling machines

Accessories

- ◆ Dust caps are available

Size	1/4	3/8	1/2	3/4	1"
MWP PSI	6000	5000	5000	5000	5000
Flow LPM	11.5	22.7	45.4	189	302



Part #	D	A	L		T
FFYM-04G	16.1	11.8	76.7	20	G1/4
FFYM-06G	19.7	16.5	78.1	24	G3/8
FFYM-08G	24.5	17.8	95.8	32	G1/2
FFYM-12G	30.0	23.5	113.9	46	G3/4
FFYM-16G	36.0	23.4	123.7	55	G1"