

PBR Interchange

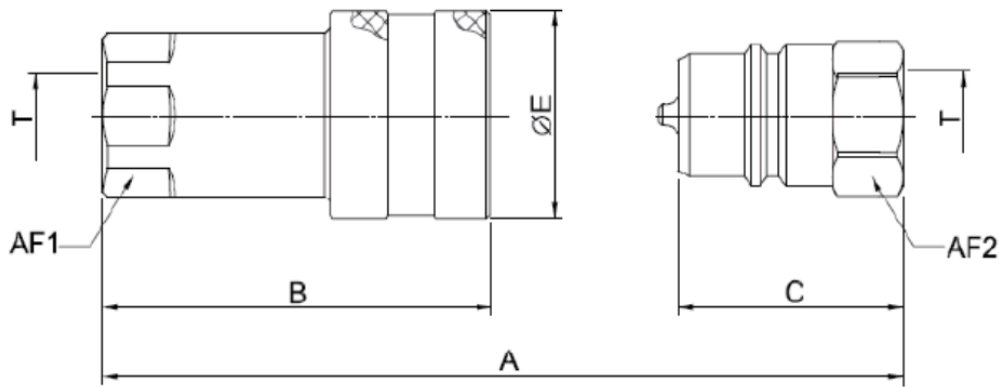


Features:

- ◆ Pull collar back to connect
- ◆ Pull collar back to disconnect
- ◆ Poppet valves
- ◆ Seals NBR with Teflon back up
- ◆ High flow for transport applications

Interchange:

- ◆ Faster NZV
- ◆ Stucchi IRN
- ◆ Eaton PB3310
- ◆ DNP PNZ1
- ◆ Ryco R140



Size	Female	Male	A mm	B mm	C mm	E mm	T	AF1 mm	AF2 mm	MWP
-16 (1")	PBRF-16G	PBRM-16G	136.4	108.0	69.0	65.0	1" BSP	46.0	44.0	4300 psi

Push Pull Sleeve:

Size	Female	Male	A mm	B mm	C mm	E mm	T	AF1 mm	AF2 mm	MWP
-16 (1")	PBRF-16GP	PBRM-16G	136.4	108.0	69.0	65.0	1" BSP	46.0	44.0	4300 psi

Features:

- ◆ Pull collar back to connect
- ◆ Pull collar back to disconnect
- ◆ Push Pull sleeve, allows one handed connection and disconnection if coupler solid mounted.
- ◆ Poppet valves
- ◆ Seals NBR with Teflon back up
- ◆ High flow for transport applications

Dust caps & plugs available in RED