

## PK Series ISO 5675



### Introduction

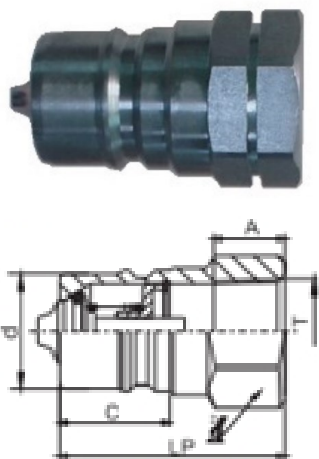
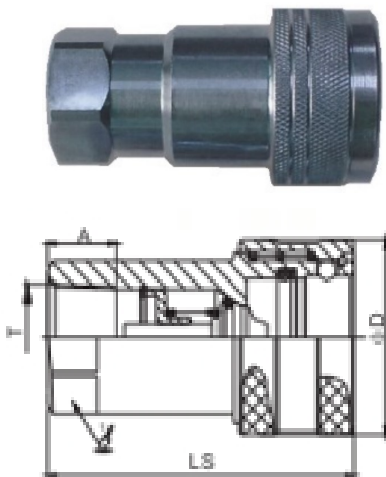
The PK series ISO 5675 couplers are the ideal choice for general purpose applications where a tough, durable product of superior quality is required. They are perfectly suited to agricultural and industrial applications. 1/2 size is interchangeable with ISO 7241-A

### Construction

- ◆ Carbon steel with trivalent plating
- ◆ Standard seals are Nitrile

### Features

- ◆ Poppet valves prevent leakage when uncoupled
- ◆ Locking ball system allows for quick connect and disconnect
- ◆ Socket and plug machined from solid bar stock



### Specification

- ◆ Operating temperature with standard NBR seals  $-20^{\circ}\text{C}$  ( $-20^{\circ}\text{F}$ ) to  $120^{\circ}\text{C}$  ( $248^{\circ}\text{F}$ )

### Applications

- ◆ Agriculture
- ◆ Mobile equipment
- ◆ Construction equipment

### Accessories

- ◆ Dust caps and plugs in colours black, blue, red, green & yellow

Part #	LS	D		A	T
PKF-04G	55.5	27.6	22.2	13	G1/4
PKF-0409U	55.5	27.6	22.2	13	9/16 UNO
PKF-06G	60.5	34	24	14	G3/8
PKF-0609U	60.5	34	24	14	9/16 UNO
PKF-08G	68	38	27	16	G1/2
PKF-12G	83	47.5	35	18	G3/4
PKF-16G	94	56.2	41	21	G1

Note: The PKF-12G is the Parker interchange  
See NV Series for Faster Interchange in 3/4

Part #	LP	d	C		A	T
PKM-04G	36	14.2	15	19	13	G1/4
PKM-0409U	36	14.2	15	19	13	9/16 UNO
PKM-06G	40	19.0	21.4	22	14	G3/8
PKM-0609U	40	19.0	21.4	22	14	9/16 UNO
PKM-08G	46	20.5	27	27	16	G1/2
PKM-12G	51	26.9	28	35	18	G3/4
PKM-16G	59.5	31.3	41	41	21	G1

Note: The PKF-12G is the Parker interchange  
See NV Series for Faster Interchange in 3/4