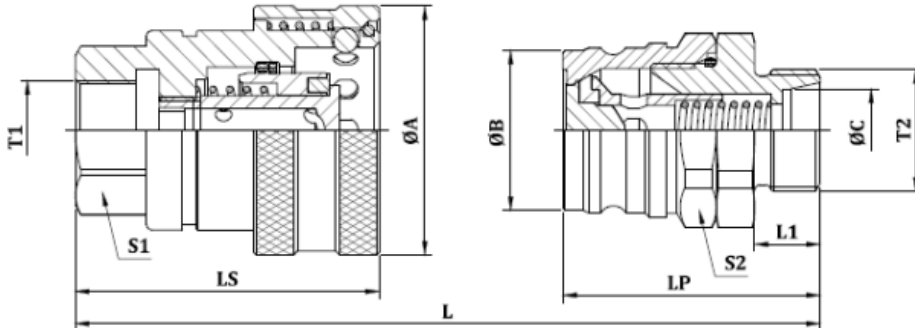


# S10 Series Trailer Brake Coupler

## ISO 5676 Interchange



### Features:

- ◆ Flat Face valves
- ◆ Seals NBR & PTFE backup rings
- ◆ Material steel, machined from solid bar stock
- ◆ Conforms to ISO 56756 standard
- ◆ Pull back sleeve to connect
- ◆ Pull back sleeve to disconnect

### Interchange:

- ◆ Faster VF
- ◆ Parker 5676
- ◆ Stucchi IFR
- ◆ Holmbury TB
- ◆ DNP PFT
- ◆ Stauff BP

Body Size	Thread T1	Female	LS	Dia A	S1
1/2	3/8 BSP	S10F-0806G	55.5	44	27
1/2	1/2 BSP	S10F-08G	55.5	44	27
1/2	M18*1.5	S10F-08M18	55.5	44	27

Body Size	Thread T2	Male	LP	S2	Dia B	L1
1/2	1/2BSP	S10M-08G	48	32	28.9	23
1/2	M18*1.5	S10M-08M18	59	32	28.9	23
1/2	M18*1.5 BH	S10M-08M18B	63	32	28.9	30
1/2	M20*1.5	S10M-08M20	59	32	28.9	23
1/2	M22*1.5	S10M-08M22	59	32	28.9	23

Plug and Cap available