

# S300 Screw Coupler (700 Bar)



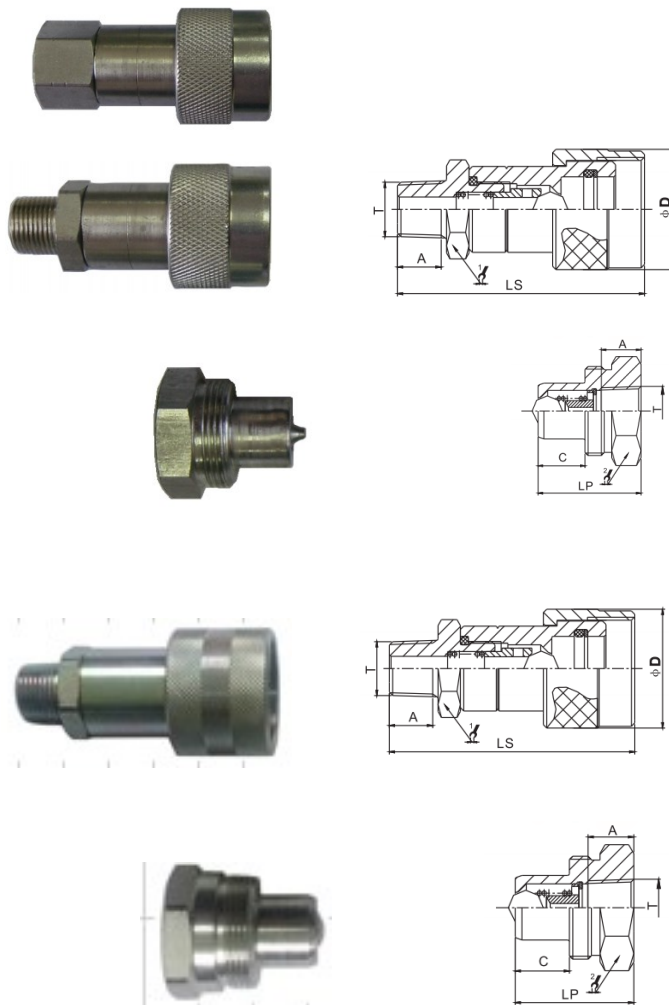
## Introduction

The S300 series couplers are high pressure (700 bar) screw couplers used mainly on hydraulic jacking systems. They come with poppet valves and ball valves

## Construction

- ◆ Carbon steel with trivalent plating
- ◆ Standard seals are Nitrile
- ◆ Poppet or Ball valve
- ◆ Screw to connect

Size	1/4	3/8
MWP (PSI)	10,000 (700 Bar)	
Flow LPM	11.4	22.7



## Specification

- ◆ Operating temperature with standard NBR seals  $-20^{\circ}\text{C}$  ( $-20^{\circ}\text{F}$ ) to  $120^{\circ}\text{C}$  ( $248^{\circ}\text{F}$ )

## Accessories

- ◆ Dust caps and plugs available in aluminium or polyurethane

## Features

- ◆ Poppet or ball valves prevent leakage when uncoupled
- ◆ Screw to connect allows for secure connection
- ◆ Socket and plug machined from solid bar stock
- ◆ Hard chrome balls are used in the ball coupler on to a coined seat

## Poppet Type

Part #	LS	D		A	T
S300F-06N	73.5	35	25	14.4	3/8 NPT
S300F-06NF	67	35	25	0	3/8 NPT

Part #	LP	C		A	T
S300M-06N	35	16	32	13.5	3/8 NPT

## Ball Type

Part #	LS	D		A	T
S300F-04NB	73.5	35	25	14.4	1/4 NPT
S300F-06NB	67	35	25	14.4	3/8 NPT

Part #	LP	C		A	T
S300M-04NB	32.5	11.2	19	13	1/4 NPT
S300M-06NB	35	16	32	13.5	3/8 NPT