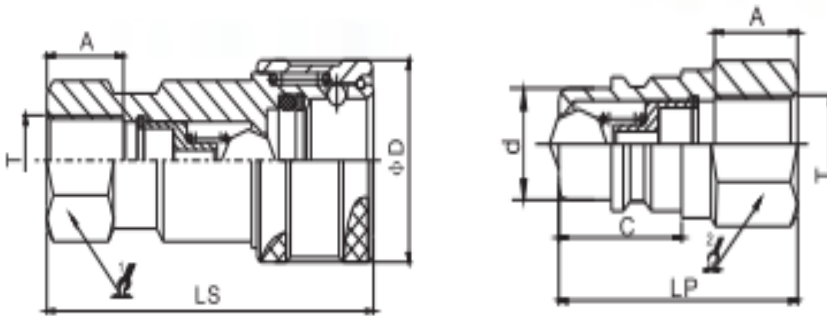


S4 Series ISO5675



Features:

- ◆ Pull collar back to connect
- ◆ Pull collar back to disconnect
- ◆ Ball valves
- ◆ Seals NBR & PTFE backup ring
- ◆ Material steel, machined from solid bar stock
- ◆ Conforms to ISO 5675 standard

Interchange:

- ◆ Parker 4000
- ◆ Faster NS **
- ◆ Dixon AG
- ◆ Stucchi IR
- ◆ Holmbury DINB
- ◆ DNP PDS1

Body Size	Thread	Female	Male	LP	LS	S1	S2	Dia D	L	Dia d
1/4	1/4 BSP	S4F-04G	S4M-04G	36	53.5	19	19	27.6	72.2	14.2
3/8	3/8 BSP	S4F-06G	S4M-06G	40	63	24	24	34	82.6	19
1/2	1/2 BSP	S4F-08G	S4M-08G	43.5	66.3	27	27	38.6	87.8	20.5
3/4	3/4 BSP	S4F-12G	S4M-12G	51	83.5	35	33.3	47.5	102	26.9
1"	1" BSP	S4F-16G	S4M-16G	63	96.5	41	41	56	126.8	31.3

** See NS spec sheet for the Faster Interchange only in 3/4.

Dust caps and plugs available in, Black, Blue, Red, Green, Yellow and Orange 1/2 only