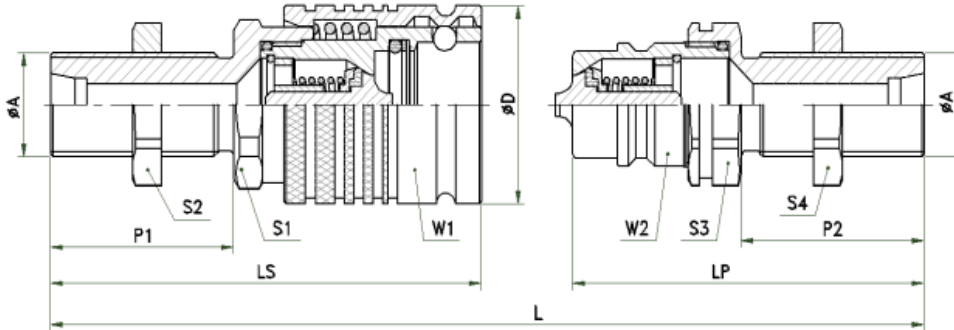




S5 Series ISO 5675 "Push-Pull" Bulkhead Connection



Features:

- ◆ Push to connect "Collar must be secured"
- ◆ Pull to disconnect "Collar must be secured"
- ◆ Poppet valves
- ◆ Seals NBR & PTFE backup ring
- ◆ Material steel, machined from solid bar stock
- ◆ Conforms to ISO 5675 standard

Interchange:

- ◆ Parker 4200
- ◆ Faster PV/PS
- ◆ Stauff HP
- ◆ Stucchi IRs/IP
- ◆ Holmbury P
- ◆ DNP PPV1

Body Size	Tube	Thread	Female	Male	LP	LS	S1	S2	Dia D	L
1/2	3/8	3/8 BSP	S5F-06GBH	S5M-06GBH	72	87	27	24	38	137.5
1/2	12L	M18*1.5	S5F-12LBH	S5M-12LBH	72	87	27	24	38	137.5
1/2	15L	M22*1.5	S5F-15LBH	S5M-15LBH	74	89	27	27	38	143.5
1/2	10S	M18*1.5	S5F-10SBH	S5M-10SBH	72	87	27	24	38	137.5
1/2	12S	M20*1.5	S5F-12SBH	S5M-12SBH	72	87	27	27	38	137.5
1/2	14S	M22*1.5	S5F-14SBH	S5M-14SBH	74	89	27	27	38	137.5

Dust caps and plugs available in, Black, Blue, Red, Green , Yellow & Orange

Other thread options available using Conversion Adaptors