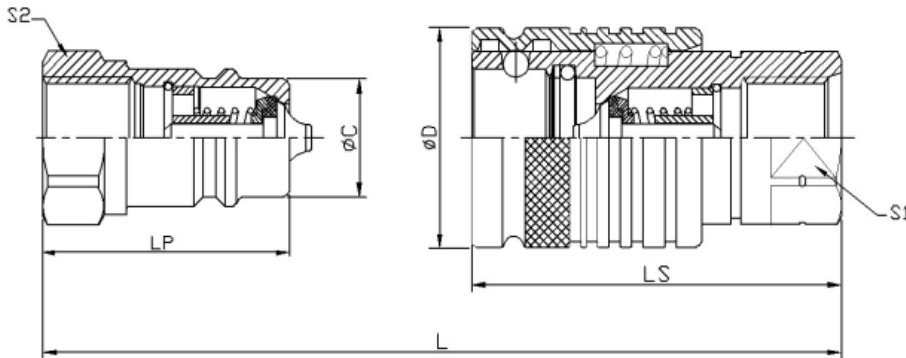


S5 Series ISO 5675 "Push-Pull"



Features:

- ◆ Push to connect "Collar must be secured"
- ◆ Pull to disconnect "Collar must be secured"
- ◆ Poppet valves & Ball Valves
- ◆ Seals NBR & PTFE backup ring
- ◆ Material steel, machined from solid bar stock
- ◆ Conforms to ISO 5675 standard
- ◆ Available as Ball type

Interchange:

- ◆ Parker 4200
- ◆ Faster PV/PS
- ◆ Stauff HP
- ◆ Stucchi IRs/IP
- ◆ Holmbury P
- ◆ DNP PPV1

Body Size	Thread	Female	Male	LP	LS	S1	S2	Dia D	L	Dia C
1/2	1/2 BSP	S5F-08G	S1M-08G	43.5	66	27	27	38	105.5	20.5
1/2	1/2 NPT	S5F-08N	S1M-08N	43.5	66	27	27	38	105.5	20.5
1/2	3/4 UNO	S5F-12U	S1M-12U	43.5	66	27	27	38	105.5	20.5
1/2	7/8 UNO	S5F-14U	S1M-14U	43.5	66	27	27	38	105.5	20.5
1/2	METRIC	S5F-08FM22	S1M-08FM22	43.5	66	27	27	38	105.5	20.5

Ball Type

Body Size	Thread	Female	Male	LP	LS	S1	S2	Dia D	L	Dia C
1/2	1/2 BSP	S5BF-08G	S4M-08G	43.5	66	27	27	38	105.5	20.5
1/2	1/2 NPT	S5BF-08N	S4M-08N	43.5	66	27	27	38	105.5	20.5
1/2	3/4 UNO	S5BF-12U	S4M-12U	43.5	66	27	27	38	105.5	20.5

Dust caps and plugs available in, Black, Blue, Red, Green, Yellow & Orange