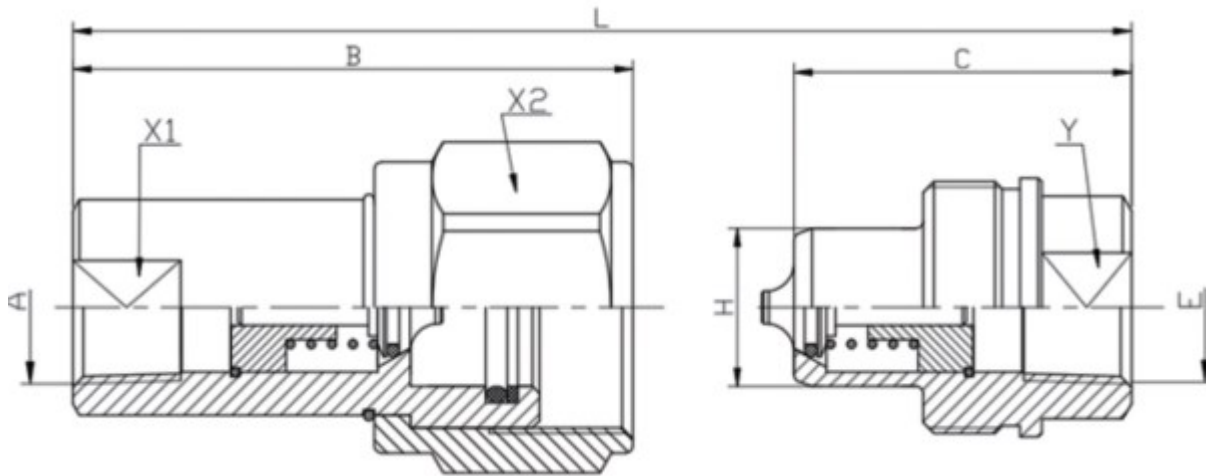


# S600 Series Screw Together Couplers



**Features:**

- ◆ Connect Screw
- ◆ Disconnect Screw
- ◆ Material Steel
- ◆ Seals NBR Teflon backup
- ◆ Can be connected under residual pressure
- ◆ Design Heavy duty

**Interchange:**

- Eaton W6000
- Holmbury SP
- DNP PVG1
- Inteva 203

| Body Size | Thread    | Female    | Male      | L   | C  | B     | X1 | X2 | Y  |
|-----------|-----------|-----------|-----------|-----|----|-------|----|----|----|
| 1/2       | 1/2 BSP   | S600F-08G | S600M-08G | 94  | 47 | 74.5  | 27 | 41 | 27 |
| 3/4       | 3/4 BSP   | S600F-12G | S600M-12G | 114 | 57 | 90.5  | 35 | 50 | 35 |
| 1"        | 1" BSP    | S600F-16G | S600M-16G | 128 | 64 | 103.5 | 41 | 65 | 41 |
| 1 1/4     | 1 1/4 BSP | S600F-20G | S600M-20G | 150 | 75 | 130.5 | 58 | 80 | 58 |
| 1 1/2     | 1 1/2 BSP | S600F-24G | S600M-24G | 162 | 81 | 141   | 61 | 85 | 61 |

| Size       | 1/2    | 3/4  | 1"   | 1 1/4 | 1 1/2 |
|------------|--------|------|------|-------|-------|
| MWP (PSI)  | 10,000 | 8500 | 6520 | 6520  | 4400  |
| Flow (LPM) | 45     | 106  | 190  | 450   | 830   |

Caps and plugs available