

# ST Series Straight Through Brass NPT



## Introduction

The ST series non-valved couplings provide maximum flow and low pressure drop. The smooth open bore allows for easy cleaning in applications where the same line is used for more than one media.

## Features

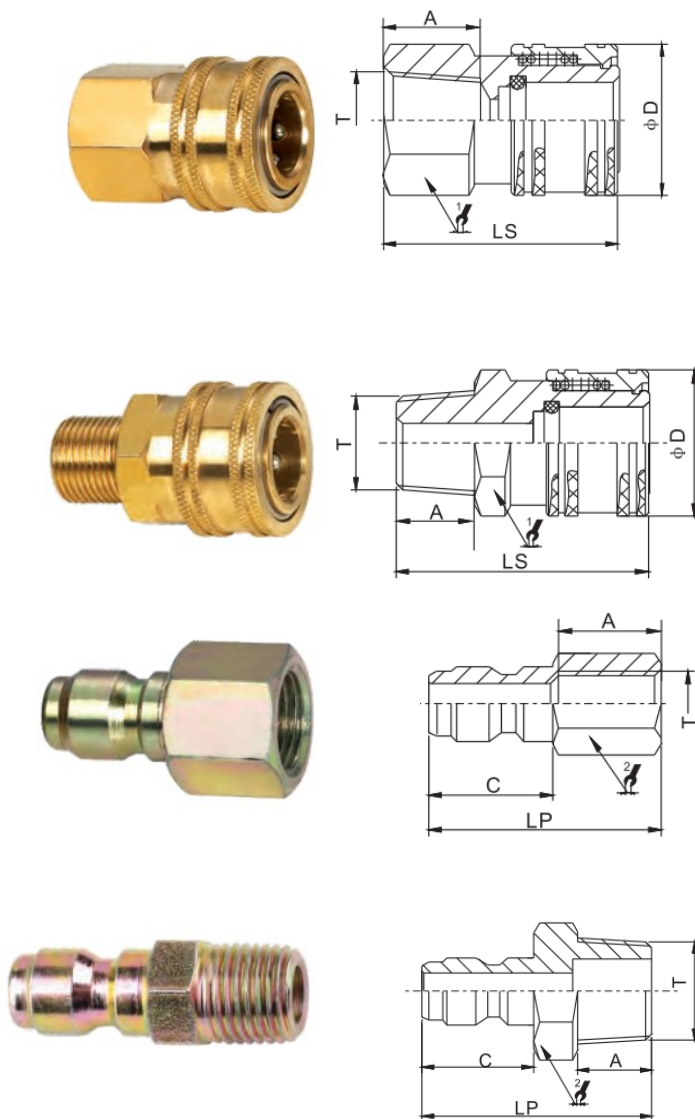
- ◆ Machined from solid bar stock providing a quality durable coupling
- ◆ Plated steel nipples are available. The ball locking grooves are case hardened for resistance to brinelling
- ◆ The ST is an “Interchange” coupling because the dimensions and functionality can interchange with other manufacturers.

## Specification

- ◆ Operating temperature with standard NBR seals  $-20^{\circ}\text{C}$  ( $-20^{\circ}\text{F}$ ) to  $120^{\circ}\text{C}$  ( $248^{\circ}\text{F}$ )

## Applications

- ◆ Water
- ◆ Pressure Washers
- ◆ Carpet cleaners
- ◆ Mold coolant lines



Size	1/8	1/4	3/8	1/2
MWP (PSI)	2500	5200	2700	2200
Steel Nipple	2600	5500	3500	2700
Flow (LPM)	11	22	46	60

Part #	LS	D		A	T
STFF-02N	27	18	14	10	1/8 NPT
STFF-04N	37	24	19	12	1/4 NPT
STFF-06N	41.5	29	24	13	3/8 NPT
STFF-08N	51	33	29	15	1/2 NPT

Part #	LS	D		A	T
STFM-02N	29	18	14	10	1/8 NPT
STFM-04N	39.5	24	19	12	1/4 NPT
STFM-06N	43	29	24	13	3/8 NPT
STFM-08N	53	33	29	15	1/2 NPT

Part #	LP	C		A	T
STMF-02N	27	17	14	10	1/8 NPT
STMF-04N	37	19.5	17	12	1/4 NPT
STMF-06N	41.5	22.5	22	13	3/8 NPT
STMF-08N	51	26	27	15	1/2 NPT

Part #	LP	C		A	T
STMM-02N	29	17	11	10	1/8 NPT
STMM-04N	39.5	19.5	14	12	1/4 NPT
STMM-06N	43	22.5	17	13	3/8 NPT
STMM-08N	53	26	22	15	1/2 NPT