

ST Series Straight Through SS



Introduction

The ST series non-valved couplings provide maximum flow and low pressure drop. The smooth open bore allows for easy cleaning in applications where the same line is used for more than one media.

Features

- ◆ Machined from solid bar stock providing a quality durable coupling
- ◆ Plated steel nipples are available. The ball locking grooves are case hardened for resistance to brinelling
- ◆ The ST is an “Interchange” coupling because the dimensions and functionality can interchange with other manufacturers.

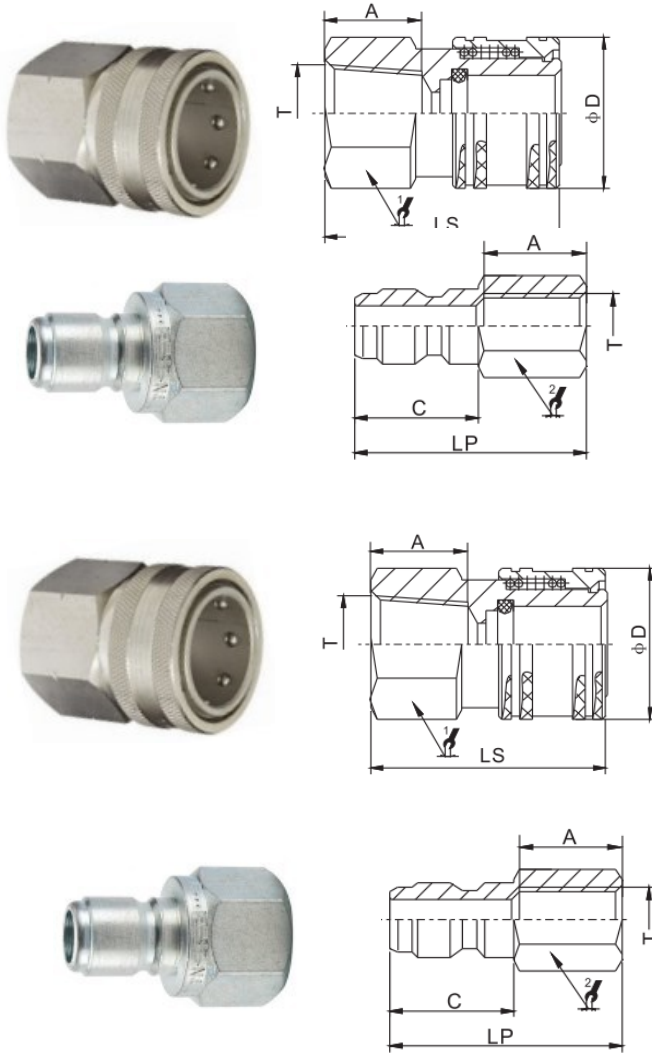
Specification

- ◆ Operating temperature with standard VITON seals -20°C (-20°F) to 180°C (356°F)

Applications

- ◆ Water
- ◆ Pressure Washers
- ◆ Carpet cleaners
- ◆ Mold coolant lines

Size	1/4	3/8	1/2
MWP (PSI) SS Nipple	6700	5500	3000
Flow (LPM)	22	46	60



Part #	LS	D		A	T
STFF-04NSS	37	24	19	12	1/4 NPT
STFF-06NSS	41.5	29	24	13	3/8 NPT

Part #	LP	C		A	T
STMF-04NSS	37	19.5	17	12	1/4 NPT
STMF-06NSS	41.5	22.5	22	13	3/8 NPT

Part #	LP	C		A	T
STFF-04GSS	37	24	19	12	1/4 BSP
STFF-06GSS	41.5	29	24	13	3/8 BSP
STFF-08GSS	51	33	29	15	1/2 BSP

Part #	LP	C		A	T
STMF-04GSS	37	19.5	17	12	1/4 BSP
STMF-06GSS	41.5	22.5	22	13	3/8 BSP
STMF-08GSS	51	26	27	15	1/2 BSP